



**ARISTA** IPC

# KVM / KVM Switch Extender Related Products

Datasheet Collection

[www.aristaipc.com](http://www.aristaipc.com)

# Contents

## Industrial Extenders

---

### KVM / KVM Switch Extenders

ARD-0301-A00-TX .....	03
ARD-0401-A00-TX .....	05
ARD-1007-A00-RX .....	07
ARD-1007-A00-TX .....	09
ARD-1007-A02-RX .....	11

### KVM Workstation

AMA-7421AX-KVM .....	13
----------------------	----



# ARD-0301-A00-TX

3 to 1 KVM Switch Transmitter



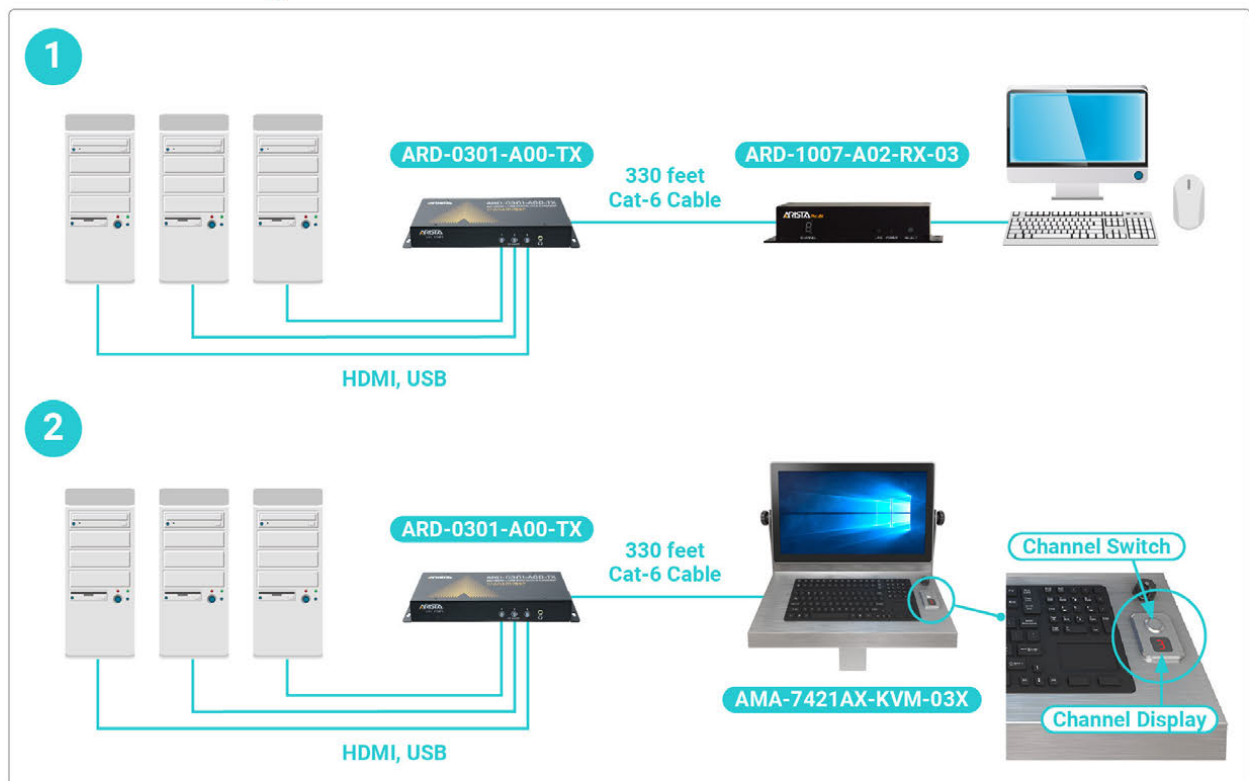
## Features

- True one cable 330 feet extension solution
- Encodes 3 to 1 HDMI, USB signals
- Power Source Equipment provides power to receiver

## Specifications

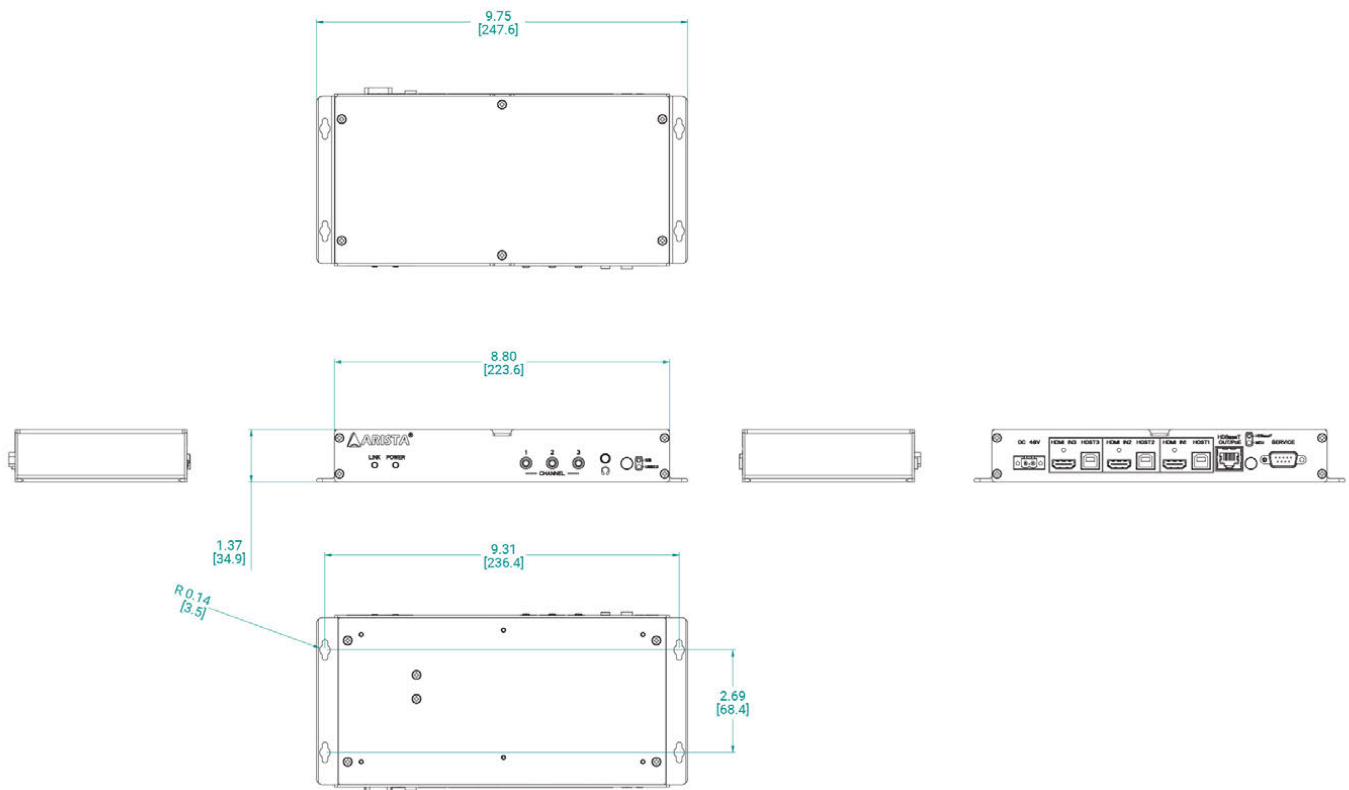
Model Name	ARD-0301-A00-TX
<b>Technical</b>	
Role of Usage	3 to 1 KVM Switch Transmitter (TX)
Video resolution	Up to 3840 x 2160
Extension Media	Cat5e/Cat6 cable
Encoding Signals	HDMI, USB
<b>Input /Output</b>	
HDMI In	3x HDMI female
USB	3x USB Type B
Transmitter Output	RJ-45
<b>Physical Information</b>	
Mounting	Wall mount
Dimension (W x H x D)	9.75 x 1.37 x 3.65 inch 247.6 x 34.9 x 92.8 mm
<b>Power/Thermal Specs</b>	
Power supply	48V DC input
<b>Environmental</b>	
Operation Temperature	0~50°C (32~122°F)
Storage Temperature	-20~60°C (-4~140°F)
Relative Humidity	0~95%

## Connection Diagram



## Dimension Drawing

Model Name: ARD-0301-A00-TX  
Size Unit: inch(mm)



## Ordering Information

### Main Product

ARD-0301-A00-TX 3 to 1 HDMI, USB KVM Switch Extension Transmitter

### Companion Products Ordering Information

ARD-1007-A02-RX-KVM03	3 to 1 HDMI, USB KVM Switch Extension Receiver
AMA-7421AX-KVM03A	3 to 1 KVM Switch Extender Integrated 21.5-inch LCD Operator Station (Keyboard Option A)
AMA-7421AX-KVM03B	3 to 1 KVM Switch Extender Integrated 21.5-inch LCD Operator Station (Keyboard Option B)
AMA-7421AX-KVM03C	3 to 1 KVM Switch Extender Integrated 21.5-inch LCD Operator Station (Keyboard Option C)



## ARD-0401-A00-TX

4 to 1 KVM Switch Transmitter



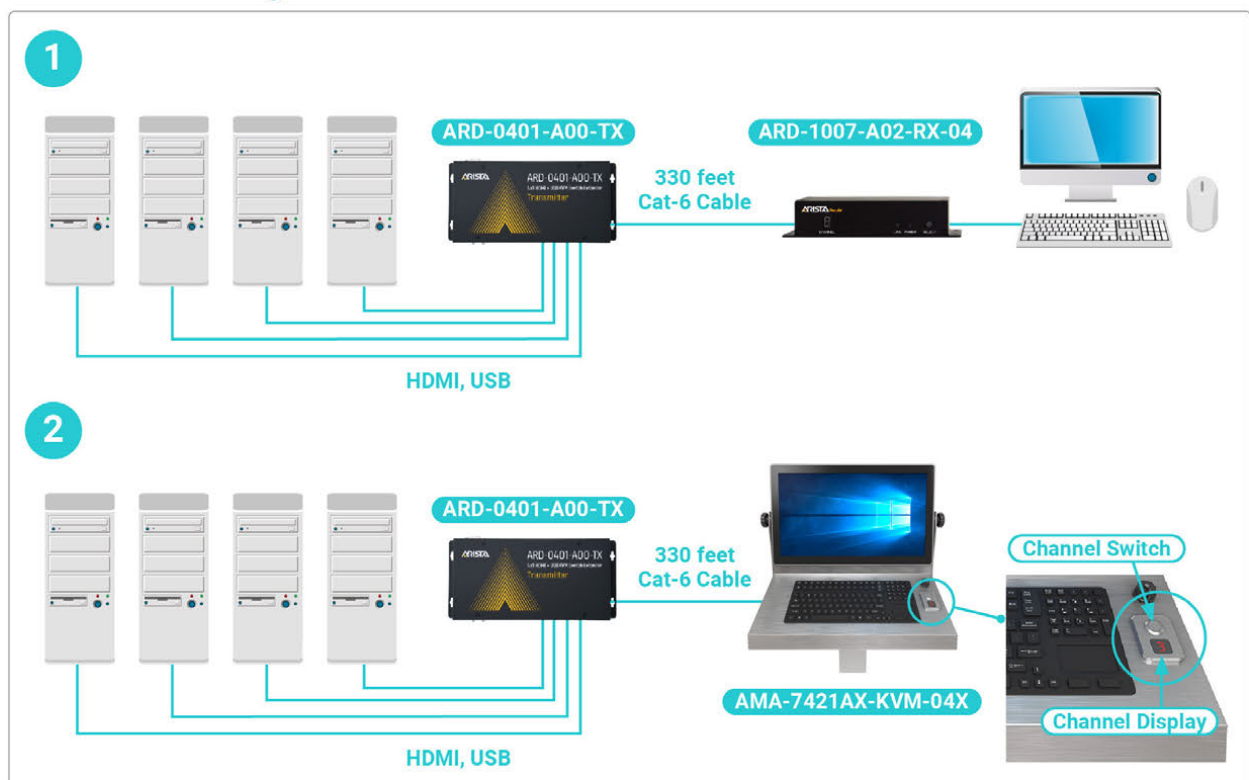
### Features

- True one cable 330 feet extension solution
- Encodes 4 to 1 HDMI, USB signals
- Power Source Equipment provides power to receiver

### Specifications

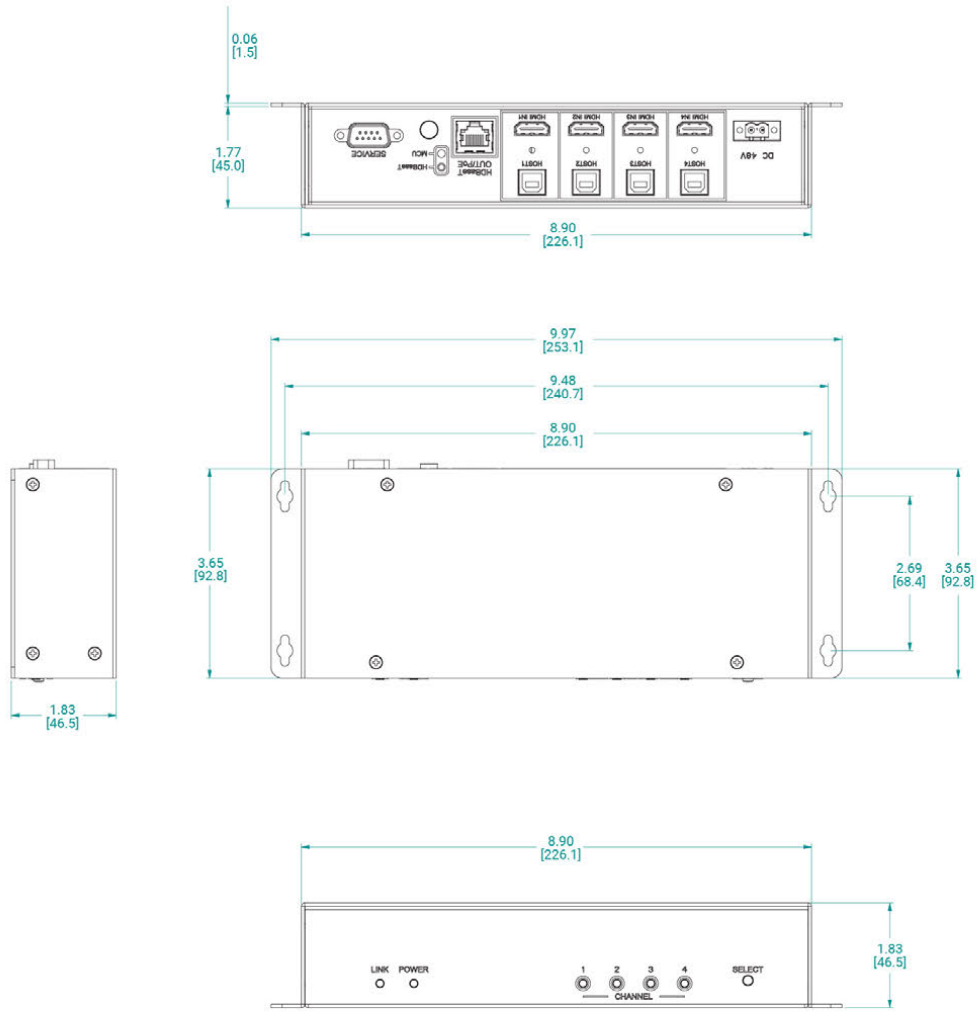
Model Name	ARD-0401-A00-TX
<b>Technical</b>	
Role of Usage	4 to 1 KVM Switch Transmitter (TX)
Video resolution	Up to 3840 x 2160
Extension Media	Cat5e/Cat6 cable
Encoding Signals	HDMI, USB
<b>Input /Output</b>	
HDMI In	4x HDMI female
USB	4x USB Type B
Transmitter Output	RJ-45
<b>Physical Information</b>	
Mounting	Wall mount
Dimension (W x H x D)	9.97 x 1.77 x 3.65 inch 253.1 x 45 x 92.8 mm
<b>Power/Thermal Specs</b>	
Power supply	48V DC input
<b>Environmental</b>	
Operation Temperature	0~50°C (32~122°F)
Storage Temperature	-20~60°C (-4~140°F)
Relative Humidity	0~95%

### Connection Diagram



## Dimension Drawing

Model Name: ARD-0401-A00-TX  
 Size Unit: inch(mm)



## Ordering Information

### Main Product

ARD-0401-A00-TX 4 to 1 HDMI, USB KVM Switch Extension Transmitter

### Companion Products Ordering Information

ARD-1007-A02-RX-KVM04	4 to 1 HDMI, USB KVM Switch Extension Receiver
AMA-7421AX-KVM04A	4 to 1 KVM Switch Extender Integrated 21.5-inch LCD Operator Station (Keyboard Option A)
AMA-7421AX-KVM04B	4 to 1 KVM Switch Extender Integrated 21.5-inch LCD Operator Station (Keyboard Option B)
AMA-7421AX-KVM04C	4 to 1 KVM Switch Extender Integrated 21.5-inch LCD Operator Station (Keyboard Option C)



## ARD-1007-A00-RX

4K HDMI, USB Decoder / Receiver

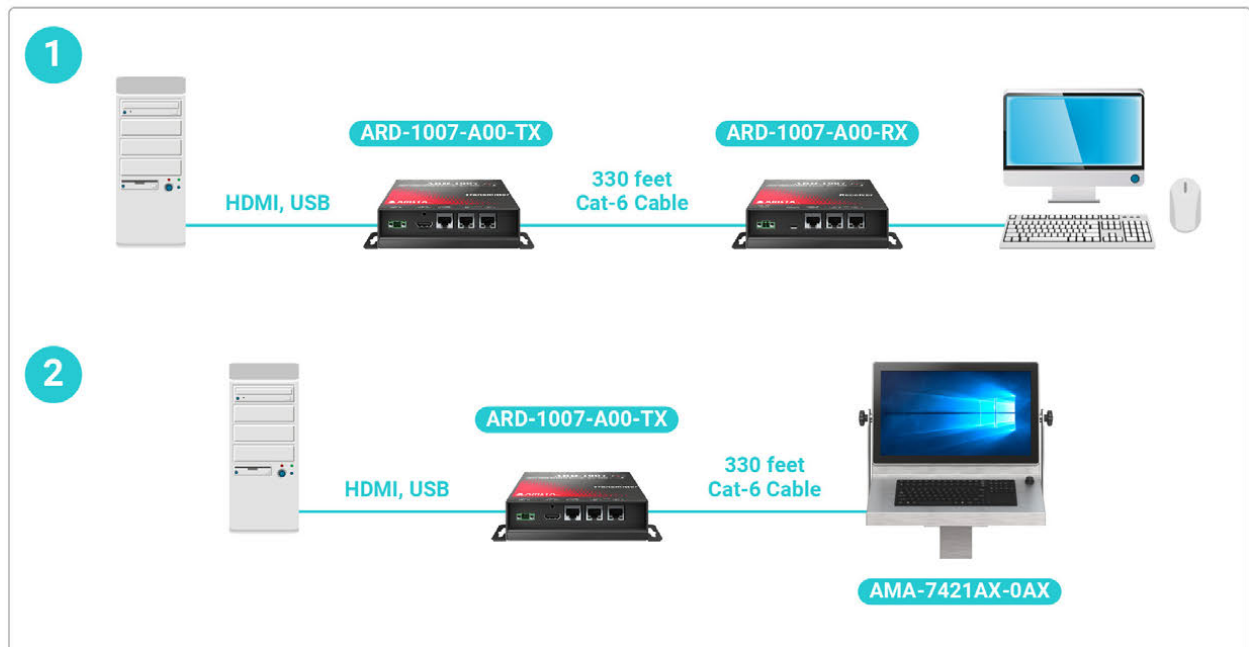
### Features

- True one cable 330 feet extension solution
- Decodes HDMI, USB, 10/100 LAN, RS-232, IR signals
- Powered by Transmitter, does not require external power supply
- Provides 12VDC/1A power source

### Specifications

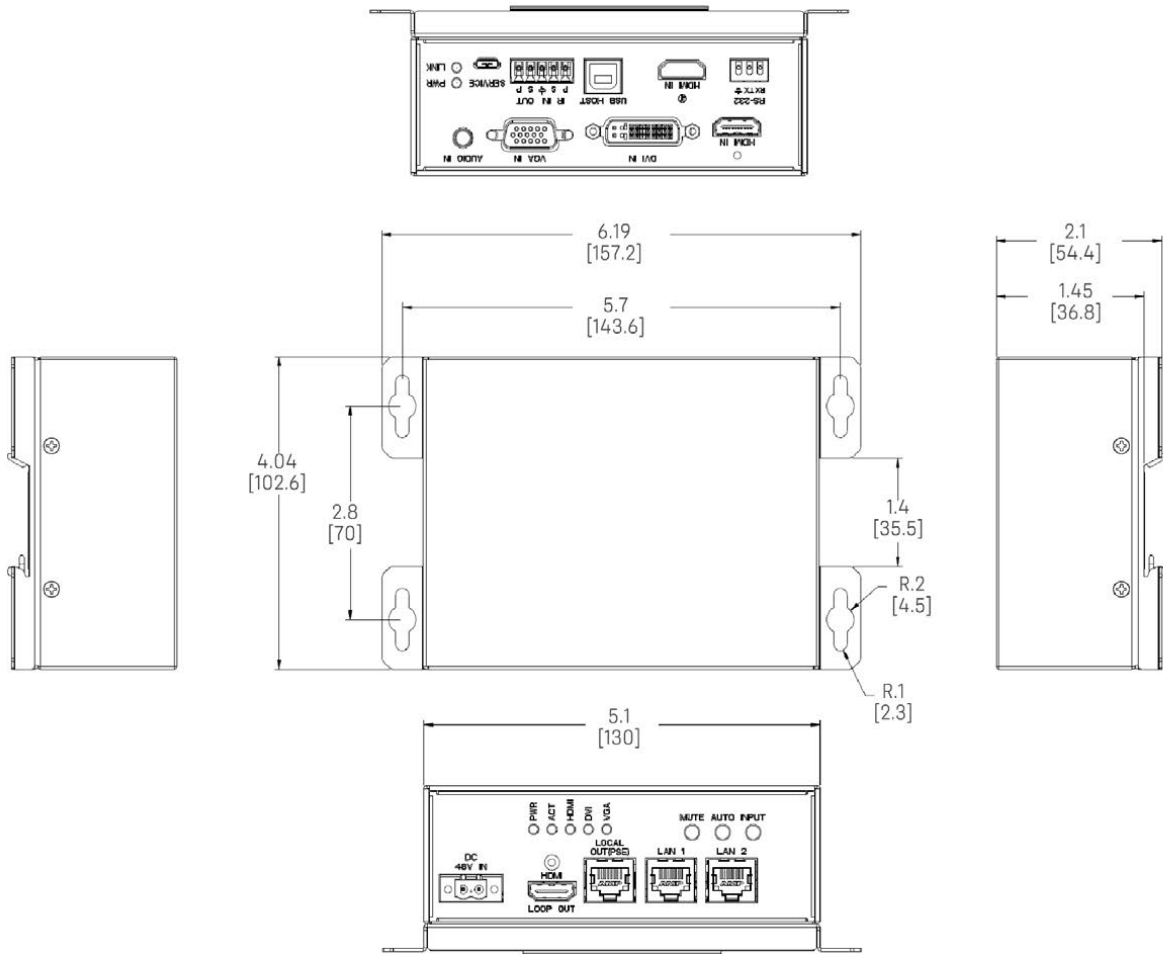
Model Name	ARD-1007-A00-RX
<b>Technical</b>	
Role of Usage	Decoder / Receiver (RX)
Video Resolution	Up to 3840 x 2160
Extension Media	Cat5e/Cat6 cable up to 330 feet
Decoding Signals	HDMI, USB, RS-232, IR, 10/100 Ethernet, Power
<b>I/O Communication</b>	
Input	1 x RJ45 Remote IN (From PSE)
HDMI Out	HDMI female
RS-232	Terminal Block 3 Pin (Tx, Rx, GND)
USB	4x USB Type A
Ethernet Hub	2 x 10/100 LAN
IR	Terminal Block 5-pin
12V DC Output Terminal	12V / 1A Output
<b>Physical Information</b>	
Mounting	Wall mount or DIN-RAIL mount
Dimension (W x H x D)	6.19 x 1.45 x 4.04 inch 157.2 x 36.8 x 102.6 mm
<b>Power/Thermal Specs</b>	
Power supply	Powered by Transmitter over CAT 5e/6 cable
<b>Environmental</b>	
Operation Temperature	0~50°C (32~122°F)
Storage Temperature	-20~60°C (-4~140°F)
Relative Humidity	0~95%

### Connection Diagram



## Dimension Drawing

Model Name: ARD-1007-A00-TX/RX  
 Size Unit: inch(mm)



## Ordering Information

### Main Product

ARD-1007-A00-RX

HDMI, USB Extension Receiver

### Companion Products Ordering Information

ARD-1007-A00-TX

HDMI, USB Extension Transmitter





## ARD-1007-A00-TX

4K HDMI, USB Encoder / Transmitter

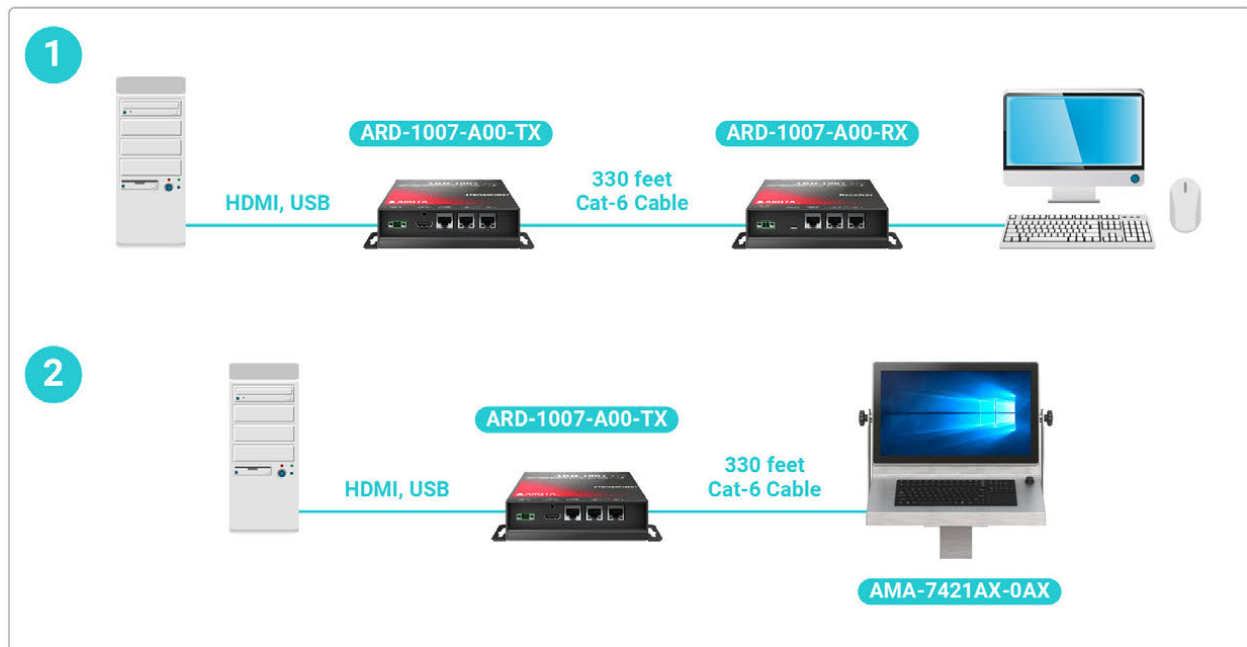
### Features

- True one cable 330 feet extension solution
- Encodes HDMI, USB, 10/100 LAN, RS-232, IR signals
- Power Source Equipment provides power to receiver

### Specifications

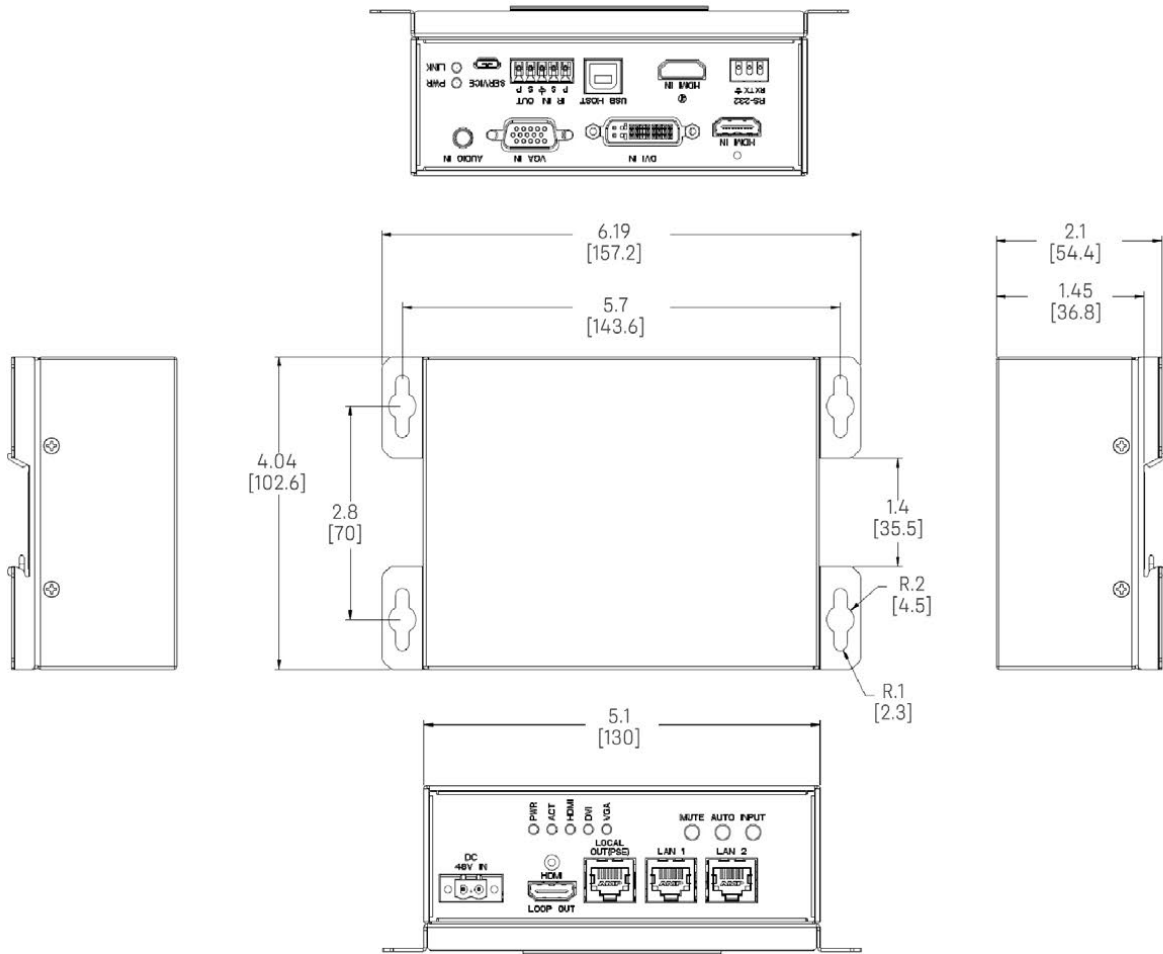
Model Name	ARD-1007-A00-TX
<b>Technical</b>	
Role of Usage	Transmitter (TX)
Video resolution	Up to 3840 x 2160
Extension Media	Cat5e/Cat6 cable
Encoding Signals	HDMI, USB, RS-232, IR, 10/100 Ethernet, Power
<b>Input /Output</b>	
HDMI In	HDMI female
HDMI Loop-Back	HDMI female
RS-232	Terminal Block 3 Pin (Tx, Rx, GND)
USB	1x USB Type B
Ethernet Hub	2 x 10/100 LAN
IR	Terminal Block 5-pin
Transmitter Output	RJ-45
<b>Physical Information</b>	
Mounting	Wall mount or DIN-RAIL mount
Dimension (W x H x D)	6.19 x 1.45 x 4.04 inch 157.2 x 36.8 x 102.6 mm
<b>Power/Thermal Specs</b>	
Power supply	48V DC input
<b>Environmental</b>	
Operation Temperature	0~50°C (32~122°F)
Storage Temperature	-20~60°C (-4~140°F)
Relative Humidity	0~95%

### Connection Diagram



## Dimension Drawing

Model Name: ARD-1007-A00-TX/RX  
 Size Unit: inch(mm)



## Ordering Information

**Main Product**

ARD-1007-A00-TX

HDMI, USB Extension Transmitter

**Companion Products Ordering Information**

ARD-1007-A00-RX

HDMI, USB Extension Receiver



## ARD-1007-A02-RX

HDMI, USB KVM Switch Extension Receiver

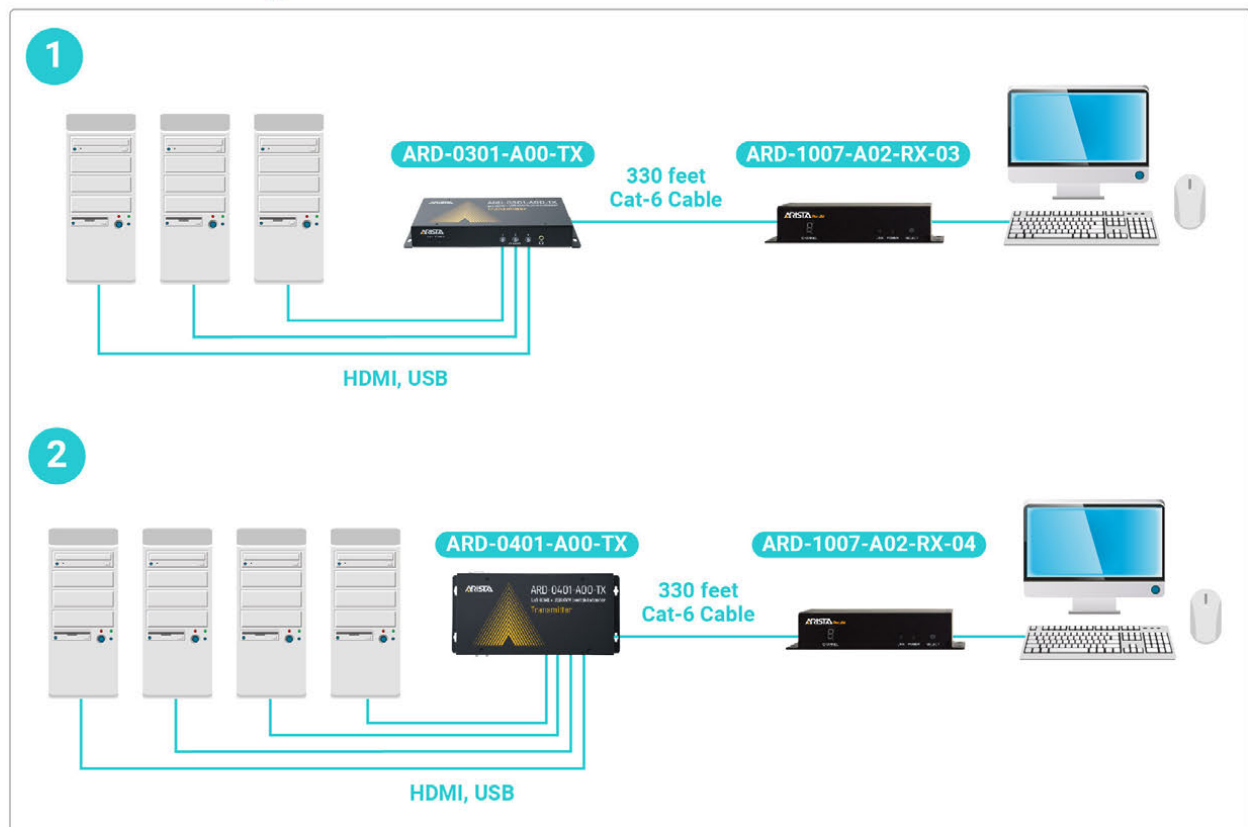
### Features

- True one cable 330 feet extension solution
- Decodes 3 to 1 / 4 TO 1 HDMI, USB KVM Switch Signals
- Powered by Transmitter, does not require external power supply

### Specifications

Model Name	ARD-1007-A02-RX
<b>Technical</b>	
Role of Usage	KVM Switch Receiver (RX)
Video Resolution	Up to 3840 x 2160
Extension Media	Cat5e/Cat6 cable up to 330 feet
Decoding Signals	HDMI, USB
<b>I/O Communication</b>	
Input	1 x RJ45 Remote IN (From PSE)
HDMI Out	HDMI female
USB	4x USB Type A
<b>Physical Information</b>	
Mounting	Wall Mount
Dimension (W x H x D)	6.70 x 1.32 x 4.51 inch 170.1 x 33.5 x 114.6 mm
<b>Power/Thermal Specs</b>	
Power supply	Powered by Transmitter over CAT 5e/6 cable
<b>Environmental</b>	
Operation Temperature	0~50°C (32~122°F)
Storage Temperature	-20~60°C (-4~140°F)
Relative Humidity	0~95%

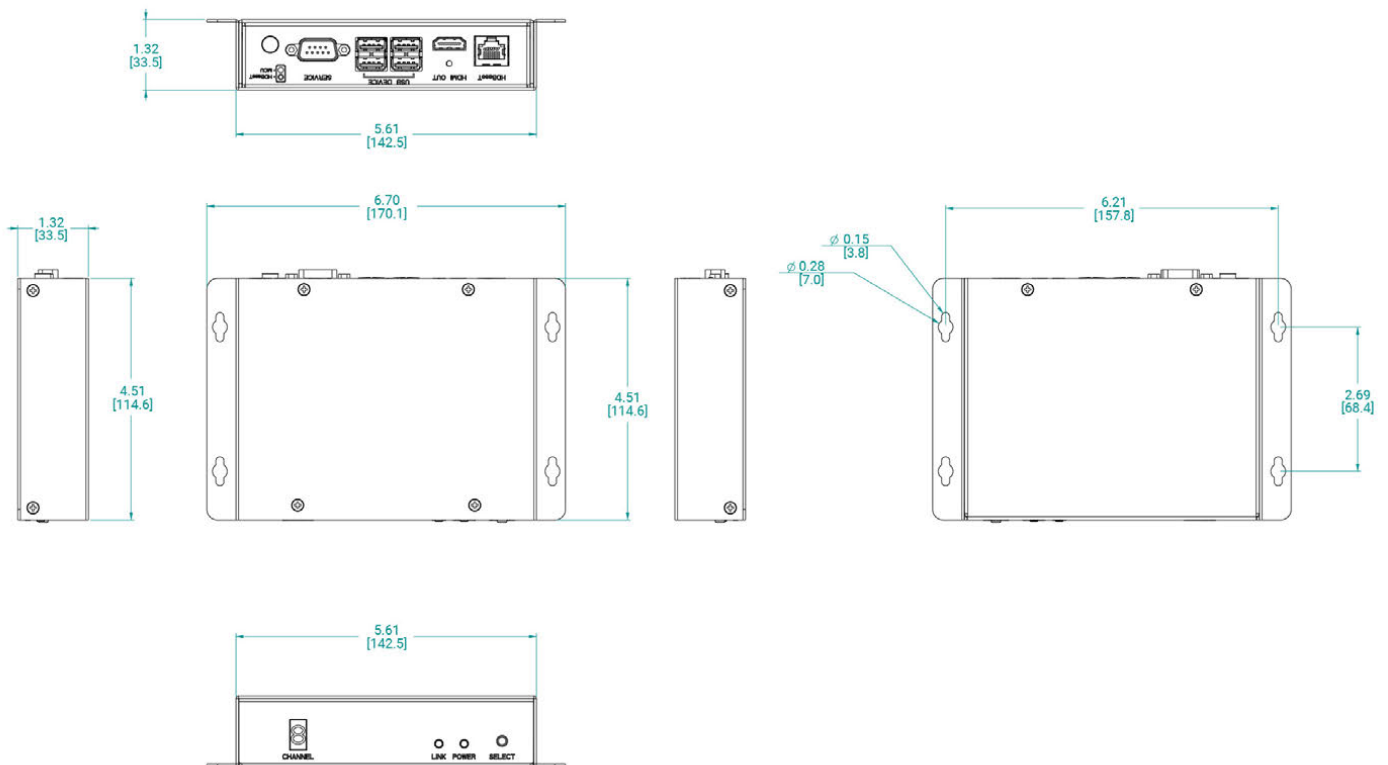
### Connection Diagram



## Dimension Drawing

Model Name: ARD-1007-A02-RX

Size Unit: inch(mm)



## Ordering Information

### Main Product

ARD-1007-A02-RX-KVM-03 3 to 1 HDMI, USB KVM Switch Extension Receiver

### Companion Products Ordering Information

ARD-0301-A00-TX 3 to 1 HDMI, USB KVM Switch Extension Transmitter

### Main Product

ARD-1007-A02-RX-KVM-04 4 to 1 HDMI, USB KVM Switch Extension Receiver

### Companion Products Ordering Information

ARD-0401-A00-TX 4 to 1 HDMI, USB KVM Switch Extension Transmitter



AMA-7421AX-0AC

AMA-7421AX-KVM-03C

## AMA-7421AX-KVM

21.5-inch Remote KVM Workstation up to a 330 feet single CAT6 cable connection to the computer

### Features

- 21.5-inch HFD LCD Display
- 1920 x 1080 Resolutions
- Projected Capacitive Touch Screen
- NEMA 4X / Waterproof Stainless-Steel Enclosure
- Single CAT6 cable connection to KVM Transmitter
- True one-cable solution up to 100 meters CAT6 cable
- No Power Supply is required
- Accessible Waterproof USB Ports Available
- 3x Keyboard Options
- HDMI & USB Extender is included
- 3 to 1 / 4 to 1 KVM Switch Extender Options

### Specifications

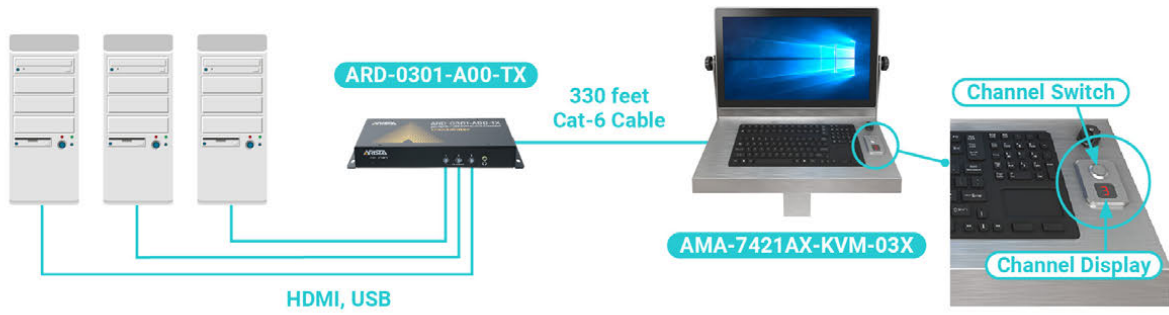
Model Name	AMA-7421AX-KVM
<b>LCD Display</b>	
Display Size (Diagonal)	21.5 inch
Max Resolution	1920 x 1080
Backlight Lifetime (Hours)	50,000 hours
<b>Visual Characteristics</b>	
Colors	16.7 million
Aspect Ratio	16:9
Viewing Angle (V/H)	178° / 178°
Contrast Ratio	1000:1
Brightness (max)	250 nits
Video Input	HDMI via Transmitter
<b>Touchscreen</b>	
Technology	Projected Capacitive
Touch Interface	USB via Transmitter
Driver	Windows 7, Windows 10
<b>I/O</b>	
Keyboard	Membrane or Silicon Rubber Keyboard
Mouse	Pointing Device or Touch Pad
USB Device Ports	2x
<b>Power/Thermal Specs</b>	
Power Requirement (Max)	Powered by Transmitter
Power Consumption (Max)	21 W
Recommended Power Supply	Not Required
Heat Dissipation	70 BTU/hr
<b>Physical Information</b>	
Mounting	Pedestal Mount (Included)
Net Weight	20 Lbs/9.07 kg
Dimension (WxHxD)	24.57 x 59.69 x 13.58 inch 624 x 1516.3 x 344.89 mm
<b>Environmental</b>	
Operation Temperature	0 - 50°C (32 - 122°F)
Storage Temperature	-20 - 60°C (-4 - 140°F)
Relative Humidity	5% to 95% non-condensing
Enclosure Materials	SS 316L
Rating	Meets IP66, NEMA 4X
Certification	N/A
<b>KVM Transmitter (Shipped with AMA-7421AX-KVM)</b>	
Extension Media	RJ-45 Cat5e/Cat6 cable
Extension signal	Video, USB, RS-232, Ethernet, Power
Video Input	HDMI (Connect to Video Source)
USB	Type-B (Connector to Computer)
RS-232	DB-9 (No Function)
LAN 1 & 2	RJ45 (No Function)
HDMI Loop-Back	For Local Display
<b>Physical Information</b>	
Mounting	Wall mount or DIN-RAIL mount
Dimension (WxHxD)	6.19 x 1.45 x 4.04 inch 157.2 x 36.8 x 102.6 mm
<b>Power/Thermal Specs</b>	
Power Requirement (Max)	48V DC Input
Power Consumption (Max)	28W (Including AMA-7421AX)
Recommended Power Supply	Included
Heat Dissipation	96 BTU/hr

# Connection Diagram

1



2

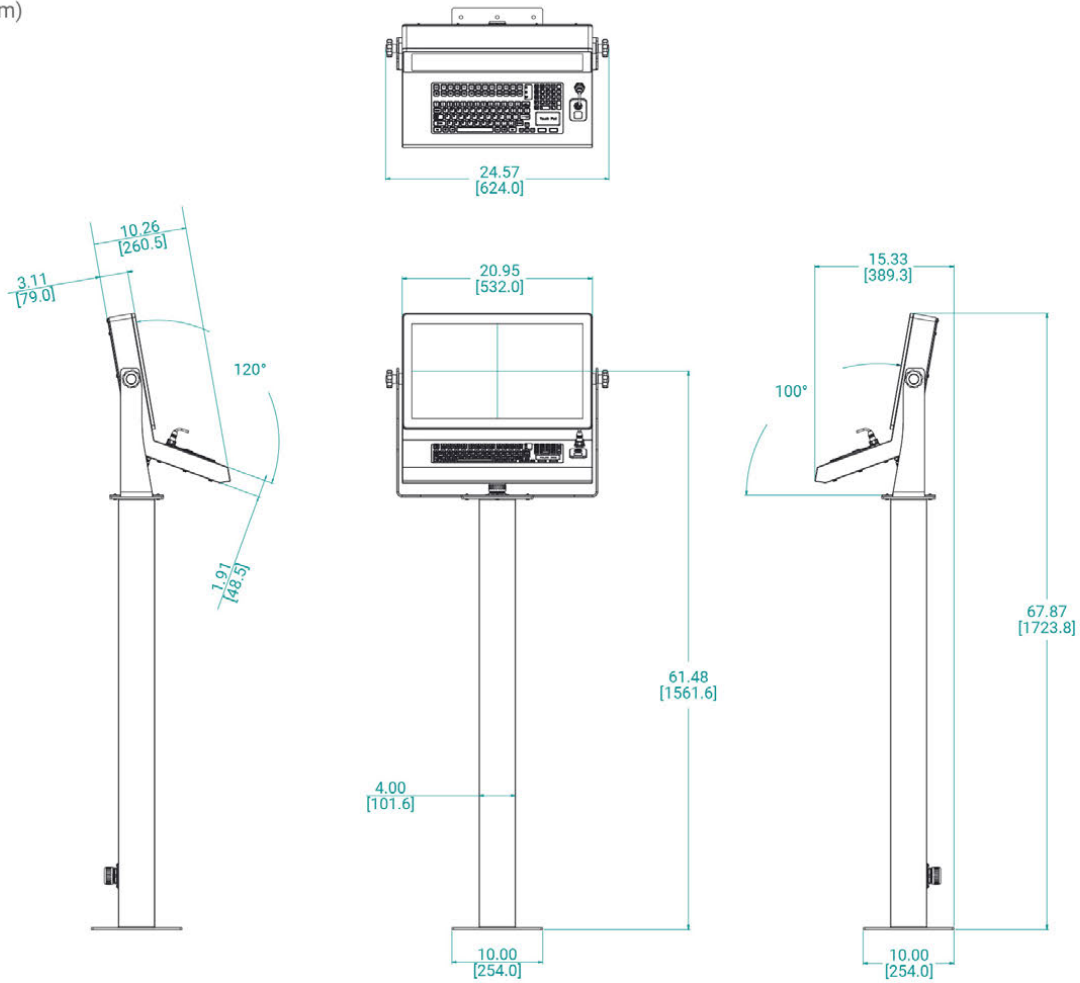


3



## Dimension Drawing

Model Name: AMA-7421AX-KVM  
Size Unit: inch(mm)



## Ordering Information

Item	AMA-7421AX-0AA	AMA-7421AX-0AB	AMA-7421AX-0AC
LCD Display	21.5" LCD / 1920 x 1080	21.5" LCD / 1920 x 1080	21.5" LCD / 1920 x 1080
Touch Screen	Projected Capacitive	Projected Capacitive	Projected Capacitive
Enclosure	316L Stainless Steel	316L Stainless Steel	316L Stainless Steel
Video Input	HDMI via Transmitter	HDMI via Transmitter	HDMI via Transmitter
Keyboard Option	KB-115A	KB-115B	KB-115C
Operating Voltage	Powered by Transmitter	Powered by Transmitter	Powered by Transmitter


Item	AMA-7421AX-KVM-03A	AMA-7421AX-KVM-03B	AMA-7421AX-KVM-03C
LCD Display	21.5" LCD / 1920 x 1080	21.5" LCD / 1920 x 1080	21.5" LCD / 1920 x 1080
Touch Screen	Projected Capacitive	Projected Capacitive	Projected Capacitive
Enclosure	316L Stainless Steel	316L Stainless Steel	316L Stainless Steel
Video Input	3x HDMI Switch via Transmitter	3x HDMI Switch via Transmitter	3x HDMI Switch via Transmitter
Keyboard Option	KB-115A	KB-115B	KB-115C-AX
Operating Voltage	Powered by Transmitter	Powered by Transmitter	Powered by Transmitter

Item	AMA-7421AX-KVM-04A	AMA-7421AX-KVM-04B	AMA-7421AX-KVM-04C
LCD Display	21.5" LCD / 1920 x 1080	21.5" LCD / 1920 x 1080	21.5" LCD / 1920 x 1080
Touch Screen	Projected Capacitive	Projected Capacitive	Projected Capacitive
Enclosure	316L Stainless Steel	316L Stainless Steel	316L Stainless Steel
Video Input	4x HDMI Switch via Transmitter	4x HDMI Switch via Transmitter	4x HDMI Switch via Transmitter
Keyboard Option	KB-115A	KB-115B	KB-115C-AX
Operating Voltage	Powered by Transmitter	Powered by Transmitter	Powered by Transmitter



**ARISTA Corporation (USA)**

 40675 Encyclopedia Circle, Fremont, CA 94538.

 Phone : +1-510-226-1800  eFax : 510-405-8437

 sales@goarista.com  [www.aristaipc.com](http://www.aristaipc.com)